

SCALE 1:40

0.0 m 0.5 m 1.0 m 2.0 m 4.0 m

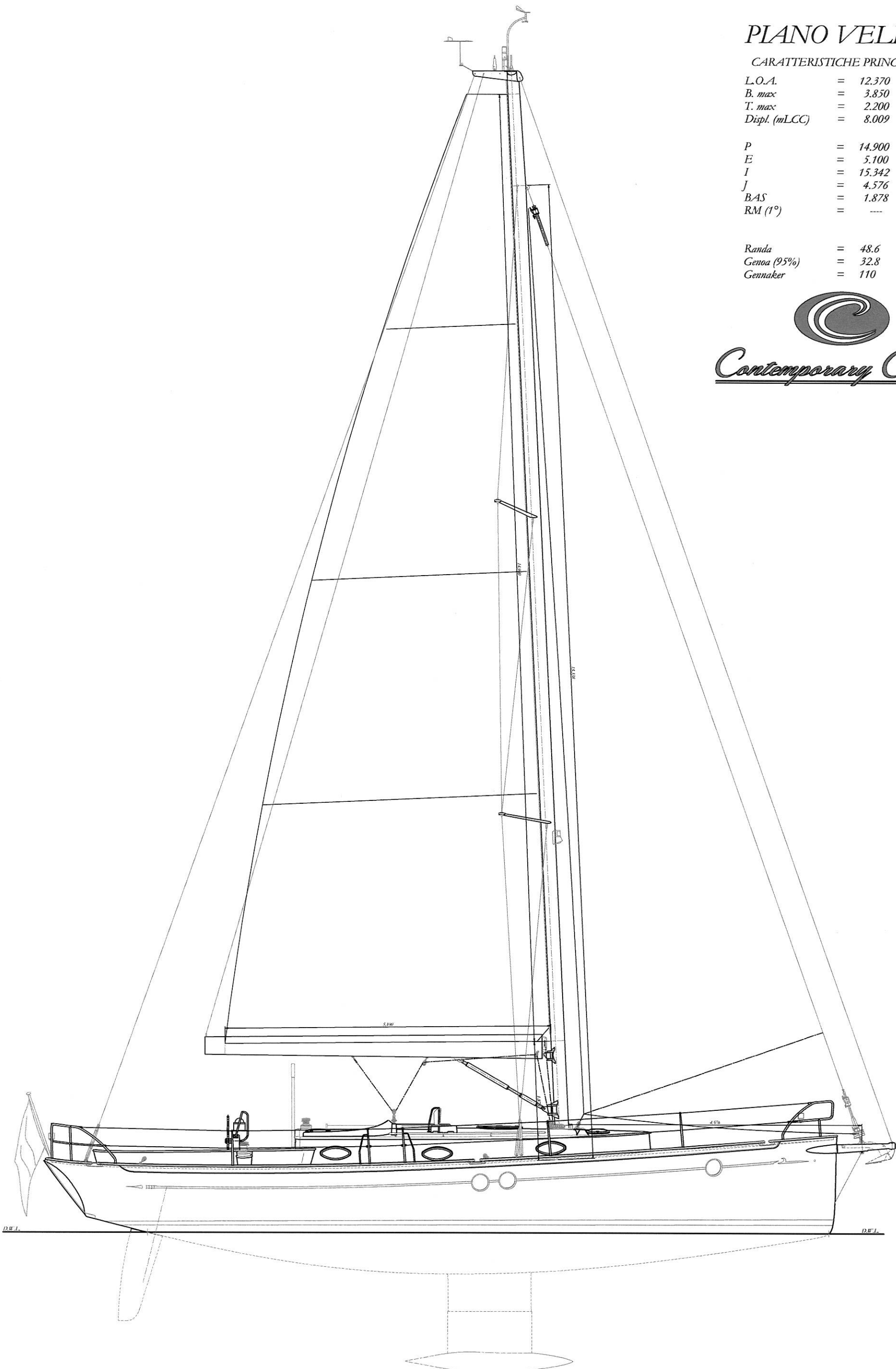
PLANO VELICO

CARATTERISTICHE PRINCIPALI

L.O.A.	=	12.370	m
B. max	=	3.850	m
T. max	=	2.200	m
Displ. (mLCC)	=	8.009	kg
P	=	14.900	m
E	=	5.100	m
I	=	15.342	m
J	=	4.576	m
BAS	=	1.878	m
RM (1°)	=	----	kg/cm
Randa	=	48.6	m ²
Genoa (95%)	=	32.8	m ²
Gennaker	=	110	m ²



Contemporary Classic



GF